

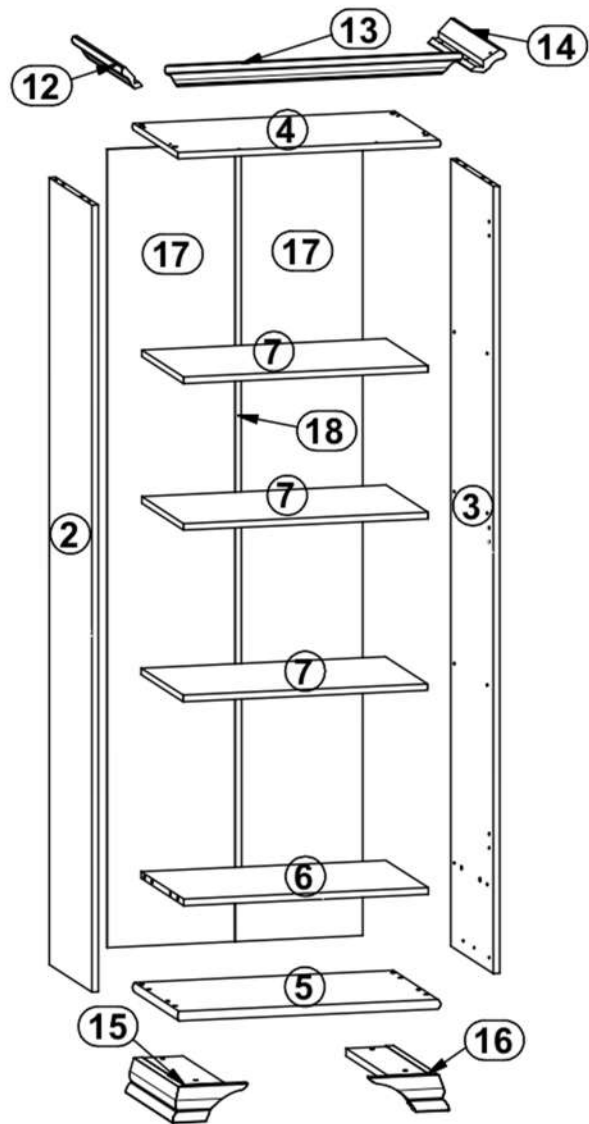
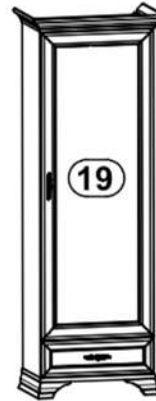
KENTAK

A	B	C	D	
1	S320-0006N	596	188	6/6
2	S320-1107N	1928	370	1/6
3	S320-1108N	1928	370	1/6
4	S320-205	612	392	2/6
5	S320-206	612	392	2/6
6	S320-303	568	370	2/6
7	S320-304	567	366	2/6
8	S320-561N	350	120	2/6
9	S320-562N	350	120	2/6
10	S320-5541N	510	120	2/6
11	S320-907N	525	348	2/6
12	S320-509	433	80	3/6
13	S320-510	694	80	3/6
14	S320-511	433	80	3/6
15	S320-507	408	180	4/6
16	S320-508	408	180	4/6
17	S320-1906N	1954	297	1/6
18	Lh-1922	1922	14	1/6



REG1D1S(N)

REG1W1S(N)

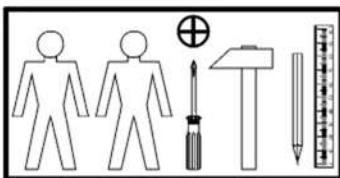
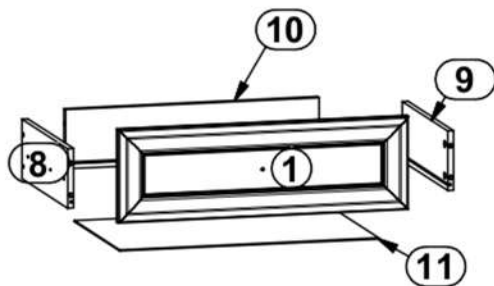


REG1D1S(N)

A	B	C	D	
19	S320-0005N	1728	596	5/6

REG1W1S(N)

A	B	C	D	
19	S320-0024/N	1728	596	5/6



3x a44	3x b19	12x d1 φ5x17 mm	8x e8 φ7x60 mm	6x e2 φ6,3x13 mm	4x e26 φ7x35 mm	6x e3 φ6x13 mm	14x f1 φ8x30 mm	6x p51 φ0,5x15 mm
4x f25 φ6,5x40 mm	1x j59 M4x18 mm	1x j6 M4x30 mm	60x l1	2x n40 26x26x16/1 - 17/2	2x c.35/2 350 mm	2x c.35/1 350 mm	4x p46 φ3x7 mm	1x z1
8x r1 φ1,5x12mm ø16	6x p140 φ3,5x12 mm	8x r42	6x p8 φ4x25 mm	2x w207/1 350 mm	2x w207/2 350 mm	1x t19 333 mm	2x p25 φ3,5x16 mm	
1x n26/1	1x p38 φ3,5x16 mm	4x s2 ø16	6x s4 ø5	1шт. f35 x50 mm	1шт. p17 ø60 mm			

